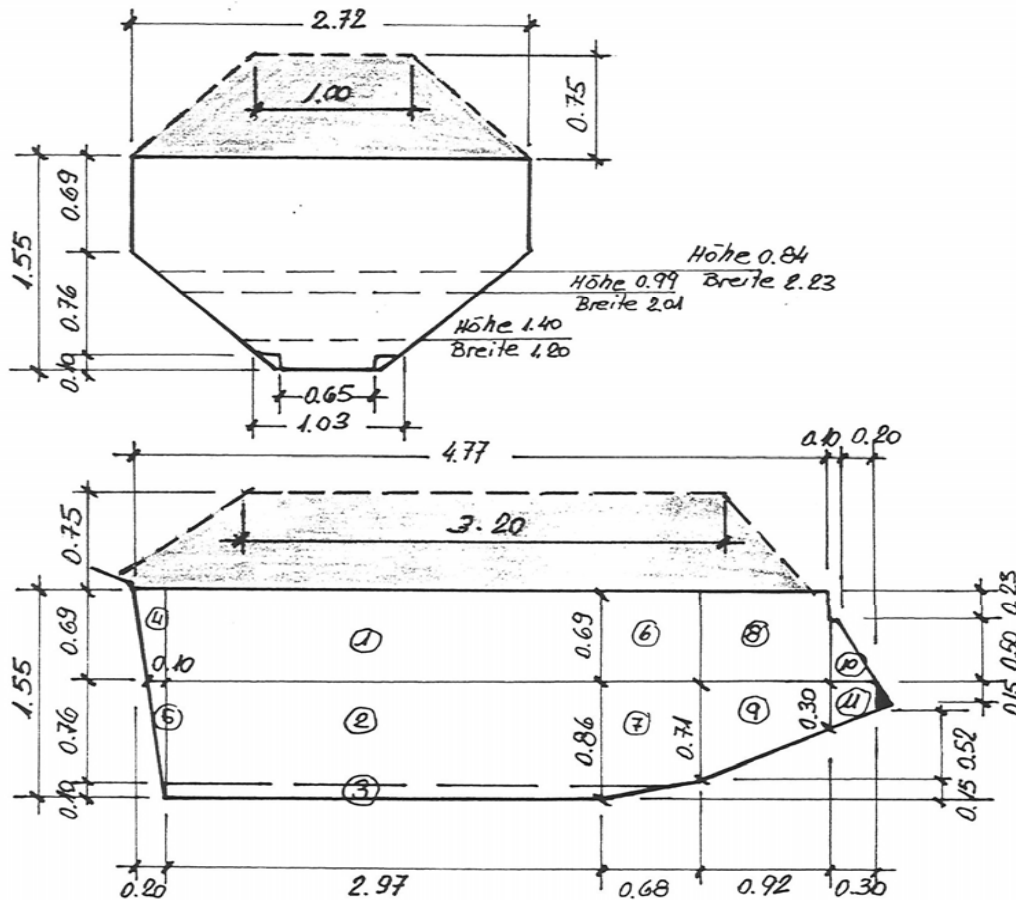


Lademenge Dumper

Typ : Volvo A30C/D/E/F, 6x6



Lademenge Mulde gestrichen (Wassermass)

1	$2.72 \times 0.69 \times 2.97$	=	5.574
2	$(2.72 + 1.03) \times 1/2 \times 0.76 \times 2.97$	=	4.232
3	$0.65 \times 0.10 \times 2.97$	=	0.193
4	$2.72 \times 0.69 \times (0.20 + 0.10) \times 1/2$	=	0.282
5	$(2.72 + 0.65) \times 1/2 \times 0.86 \times 0.10 \times 1/2$	=	0.072
6	$2.72 \times 0.68 \times 0.69$	=	1.276
7	$((2.72 + 0.65) \times 1/2 \times 0.86 + (2.72 + 1.20) \times 1/2 \times 0.71) \times 1/2 \times 0.68$	=	0.966
8	$2.72 \times 0.92 \times 0.69$	=	1.727
9	$((2.72 + 1.20) \times 1/2 \times 0.71 + (2.72 + 2.01) \times 1/2 \times 0.30) \times 1/2 \times 0.92$	=	0.967
10	$(0.10 + 0.30) \times 1/2 \times 0.50 \times 2.72$	=	0.272
11	$((2.72 + 2.01) \times 1/2 \times 0.30 + (2.72 + 2.23) \times 1/2 \times 0.15) \times 1/2 \times 0.30$	=	0.162

Total Lademenge Mulde gestrichen (Wassermass) 15.723

Ueberhöhung gemessen auf Fahrzeug

12	$(2.72 + 1.00) \times 1/2 \times (4.77 + 3.20) \times 1/2 \times 0.75$	=	5.559
----	--	---	-------

Total Lademenge gemessen auf Fahrzeug m3 21